


1.1
SERIE
AM

**Inductive proximity sensors
M12 - DC**

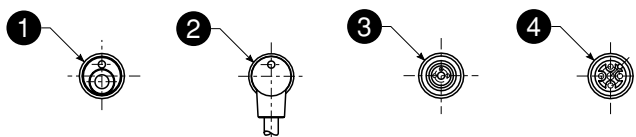
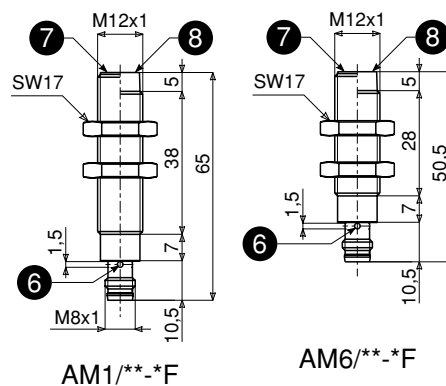
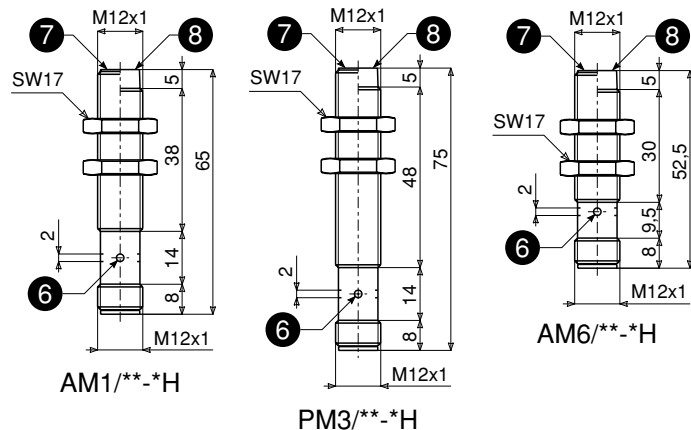
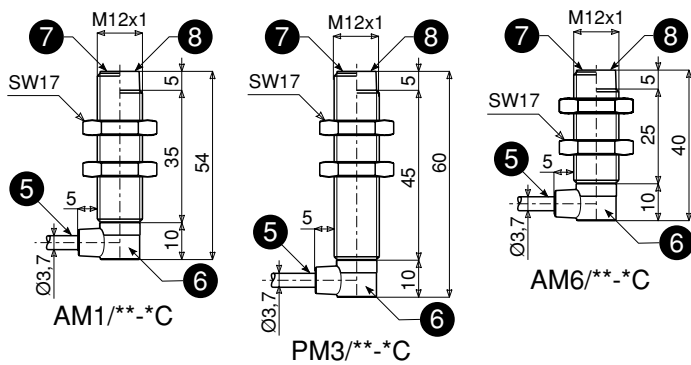
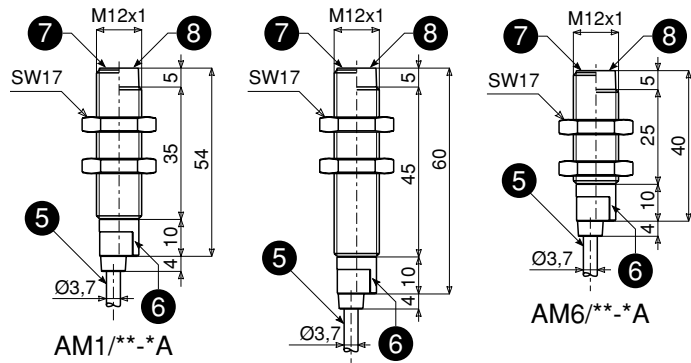
- ◆ Wide range of models:
standard, short version, DECOUT® output
- ◆ Metal housing
- ◆ Axial and right angle cable exit (patented)
- ◆ M8 and M12 metal plug cable exit
- ◆ DECOUT® multifunctional models to reduce stocking costs
- ◆ LED status indicator 360° visible
- ◆ IP67 protection degree
- ◆ Complete protection against electrical damages

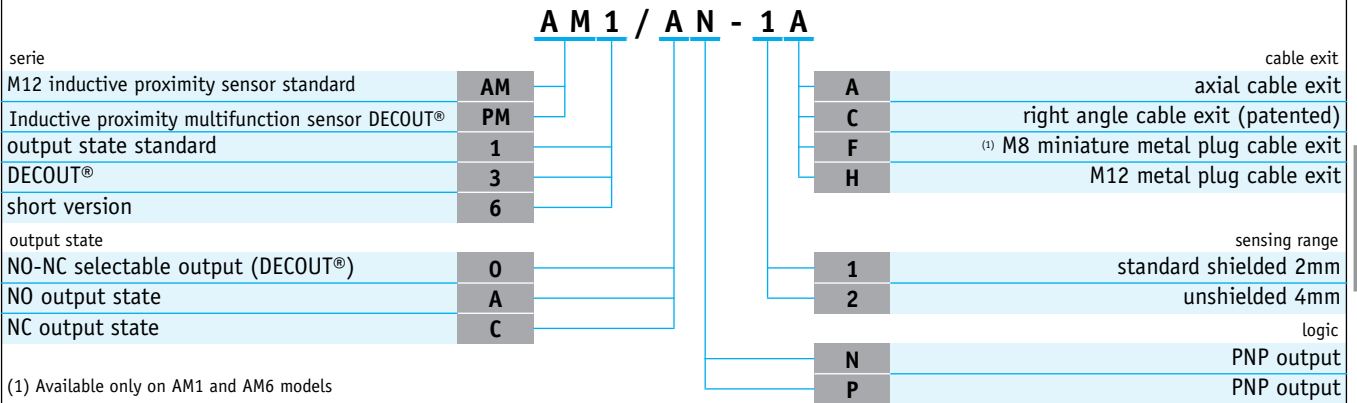

Key

- | | |
|---|--|
| 1 | Axial cable exit |
| 2 | Right angle cable exit |
| 3 | M8 miniature plug cable exit |
| 4 | M12 plug cable exit |
| 5 | Cable 3(4)x0,022mm ² , Ø3,75mm, PVC, 2m |
| 6 | LED status indicators (NO output energized) |
| 7 | Shielded version |
| 8 | Unshielded version |

 Connectors series **CD** serie

 Accessori series **ST** serie

DIMENSIONAL DRAWING


ORDERING SYSTEM


1.1

SPECIFICATIONS

Model	AM1/**-1*	AM1/**-2*	PM3/**-1*	PM3/**-2*	AM6/**-1*	AM6/**-2*
Nominal sensing distance S_n ⁽¹⁾	2mm	4mm	2mm	4mm	2mm	4mm
Operating distance	0...1,6mm (shielded), 0...3,2mm (unshielded)					
Differential travel	2...10%					
Repeat accuracy	2%					
Operating voltage	10-30Vdc					
Ripple	≤10%					
No-load supply current	20mA		30mA		20mA	
Load current	≤200mA		≤100mA		≤200mA	
Leakage current	≤10μA					
Voltage drop	1,2V max.					
Output type	NPN or PNP NO or NC		NPN/PNP select. NO/NC select.		NPN or PNP NO or NC	
Switching frequency	2KHz		1KHz		2KHz	
Time delay before availability	100ms					
Supply electrical protections	polarity reversal, transient					
Output electrical protections	short circuit (autoreset)		short circuit (with hold)		short circuit (autoreset)	
Temperature range	-25°...+70°C					
Temperature drift	10% Sr					
Protection degree (DIN 40 050)	IEC IP67					
LED indicators	Yellow (NO output energized)					
Housing material	nickel-plated brass					
Sensing face material	PBT					
Tightening torque	10Nm					
Weight (approx.)	30g - 70g (AM1, AM3); 25g - 65g (AM6)					

(1) with 12x12mm FE360 target.